



ENQUIRY SHEET FOR SWARF CONVEYORS

PLEASE COMPLETE THE FOLLOWING INFORMATION FOR A QUOTATION BY RETURN WITHIN 24 HOURS
COMPANY.....

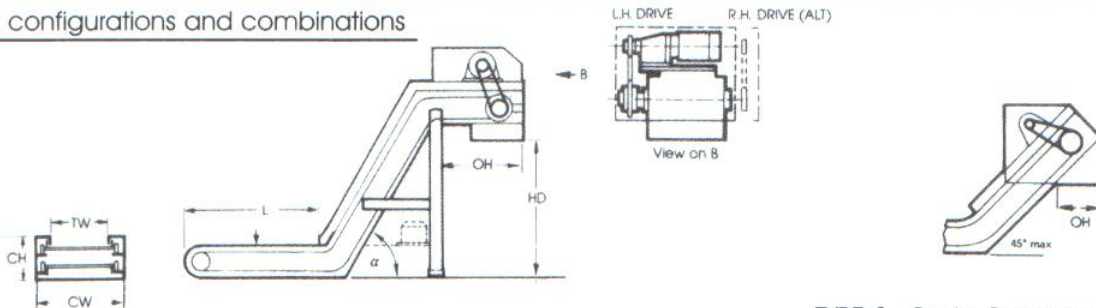
ADDRESS.....

CONTACT NAME.....DEPARTMENT.....

TEL No.....FAX No.....E-MAIL.....

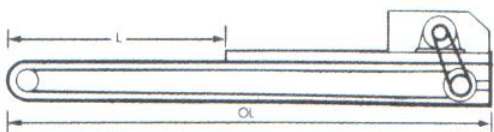
CUSTOMER DRAWING REF: _____

Typical configurations and combinations



TYPE 1 - Basic Conveyor- Slat Type.
TYPE 1c - with integral coolant tank.

TYPE 2 - Basic Conveyor- Scraper Type.
TYPE 2c - with integral coolant tank.



TYPE 3 - Straight Conveyor- Slat or Scraper.

Conveyor Details

- * Type of Conveyor:- Slat, Scraper, Magnetic, Screw, other
- * Configuration:- Type 1, Type 1c, Type 2, Type 2c, Type 3, other
- * Drive details:- Top mounted LH, top mounted RH, side mounted LH, side mounted RH
(* Delete not appropriate. If other give brief details or supply a drawing).

Dimensional Details

- Straight length L = _____ mm
- Discharge height HD = _____ mm
- Case width CW = _____ mm
- Case depth CH = _____ mm
- Throat width TW = CW-120mm (Typical)
- Height above floor HF = _____ mm
- Conveyor overhang OH = _____ mm
- Overall length (Type 3 only) OL = _____ mm

Extras

- 1) Finish paint:- Specification/colour _____
- 2) Coolant tank. _____
Coolant tank with pump - Pump details _____ - lts/min at _____ m head
_____KW rating.
Coolant tank with pump, high and low level float switches. _____
- 3) Brush assembly for belt cleaning.
- 4) Discharge chutes.
- 5) Collecting chutes.
- 6) Splice joint.
- 7) Perforated Belt.
- 8) Electrical Equipment _____ Volts _____ Ph _____ Hz
Forward/Reverse/Stop Push Button Unit.
Flying lead to parent machine. Length _____ Mts
Type of plug, etc. for machine connection _____
Knock off switch.
Any other special requirements _____

F.C. REF. ONLY

ENQUIRY No. _____